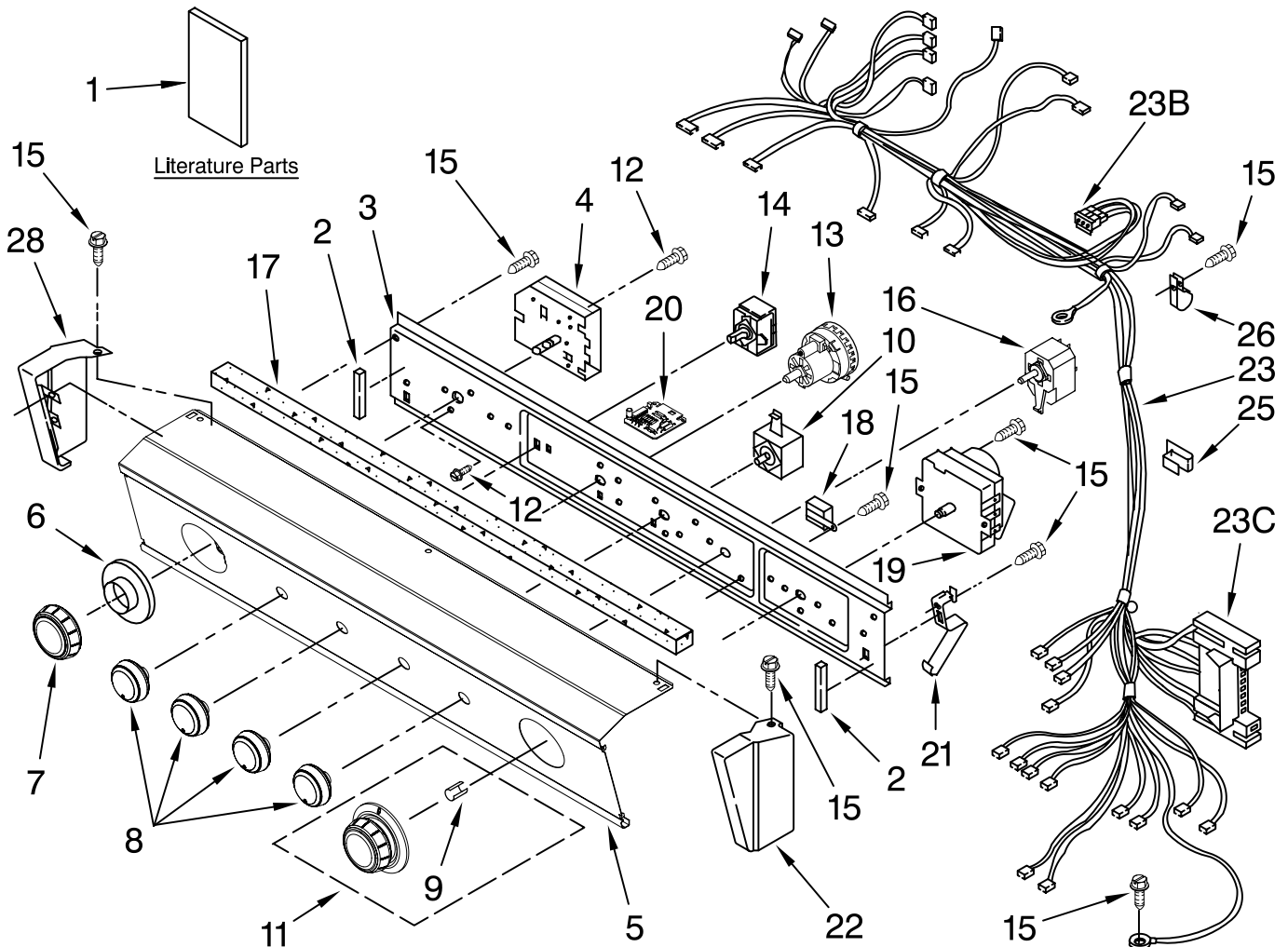


WASHER/DRYER CONTROL PANEL PARTS



For Model: MGT3800TWO
(White)

WASHER/DRYER
LAUNDRY SYSTEM

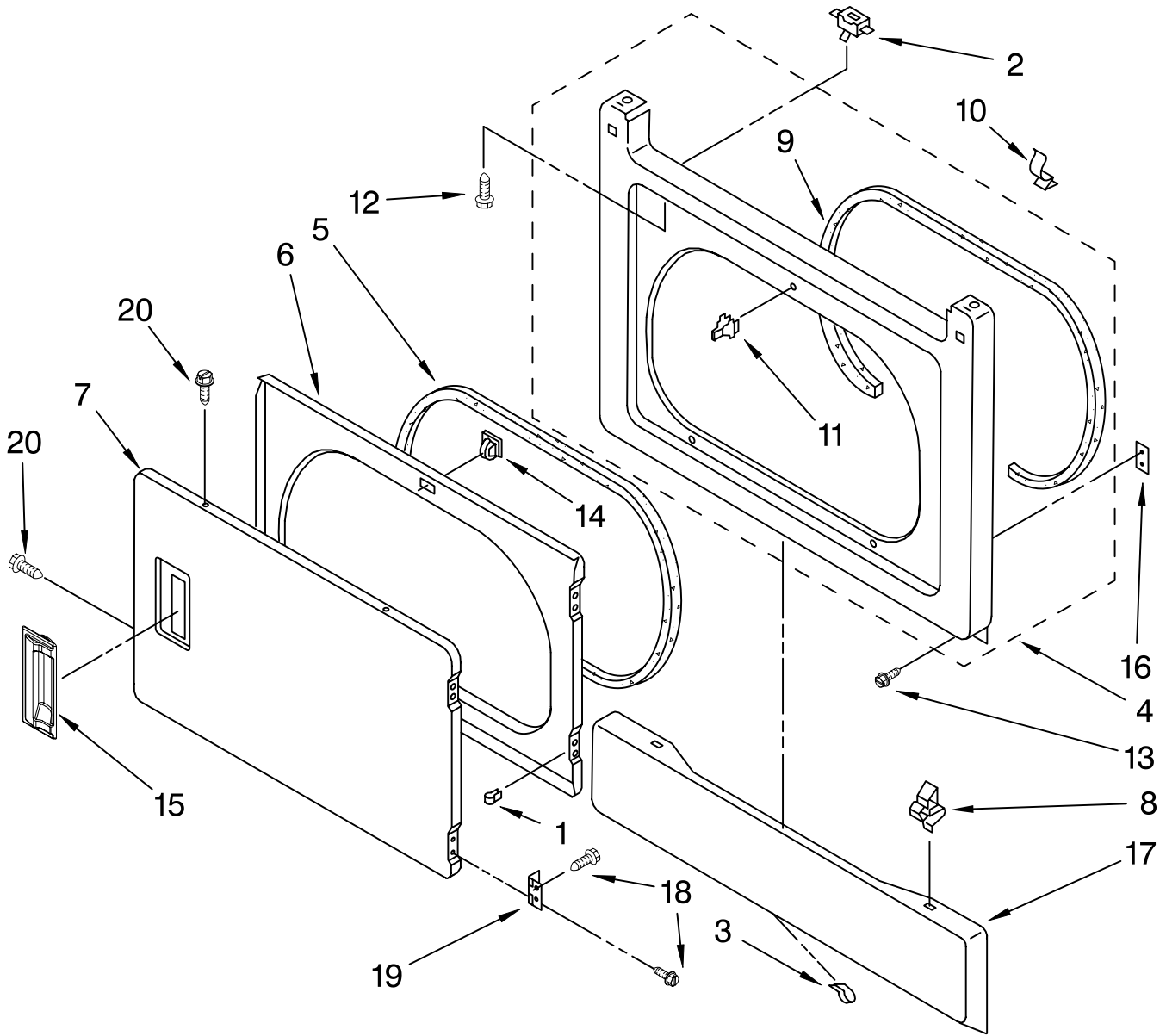


Illus. No.	Part No.	DESCRIPTION	Illus. No.	Part No.	DESCRIPTION	Illus. No.	Part No.	DESCRIPTION
1	W10118290	Literature Parts Installation Instructions	7	W10110033	Knob, Timer (Washer)	17	8521965	Gasket, Console
	W10117754	Use & Care Guide	8	W10112572	Knob, Control (3)	18	694419	Buzzer, Mini
	W10117755	Sheet, Cycle Feature	9	8536939	Spring-Clip Knob	19	W10113816	Timer, Dryer
	W10114285	Wiring Diagram	10	3405156	Switch, Rotary Push-To-Start	20	8558178	Control, C-Version
	W10118319	Energy Guide	11	W10112573	Knob, Timer (Dryer)	21	3389453	Bracket, Hinge (2)
2	3390688	Spacer-Foam Pad (2)	12	3400808	Screw, 10-32 x 5/16	22	3389456	End Cap (RH)
3	8528583	Bracket, Control (Includes Illus. 2)	13	W10112533	Switch, Pressure	23	W10128117	Harness - Dryer
4	W10124193	Timer, Washer	14	W10114118	Switch, Temperature	23B	2154470	Receptacle
5	W10124093	Panel, Control	15	90767	Screw, 8-18 x 3/8	23C	3395683	Connector, (Motor-Dryer)
6	W10112571	Dial, (Washer)	16	W10117655	Switch, Push-To-Start	25	3390422	Clip, Harness (2)
						26	3390604	Clamp, Harness
						28	3389464	End Cap (LH)

IMPORTANT: All Part Numbers Listed Are Whirlpool Numbers. Source Parts Through Whirlpool.

DRYER FRONT PANEL AND DOOR PARTS

For Model: MGT3800TWO
(White)



Illus. No.	Part No.	DESCRIPTION
1	3389249	Nut, Push (4)
2	3391902	Switch, Door
3	98234	Clip, Ground
4	3392547	Panel, Front
5	3390735	Seal, Door
6	3392563	Door, Rear
7	3387872	Door, Front
8	3388229	Retainer, Toe Panel (2)

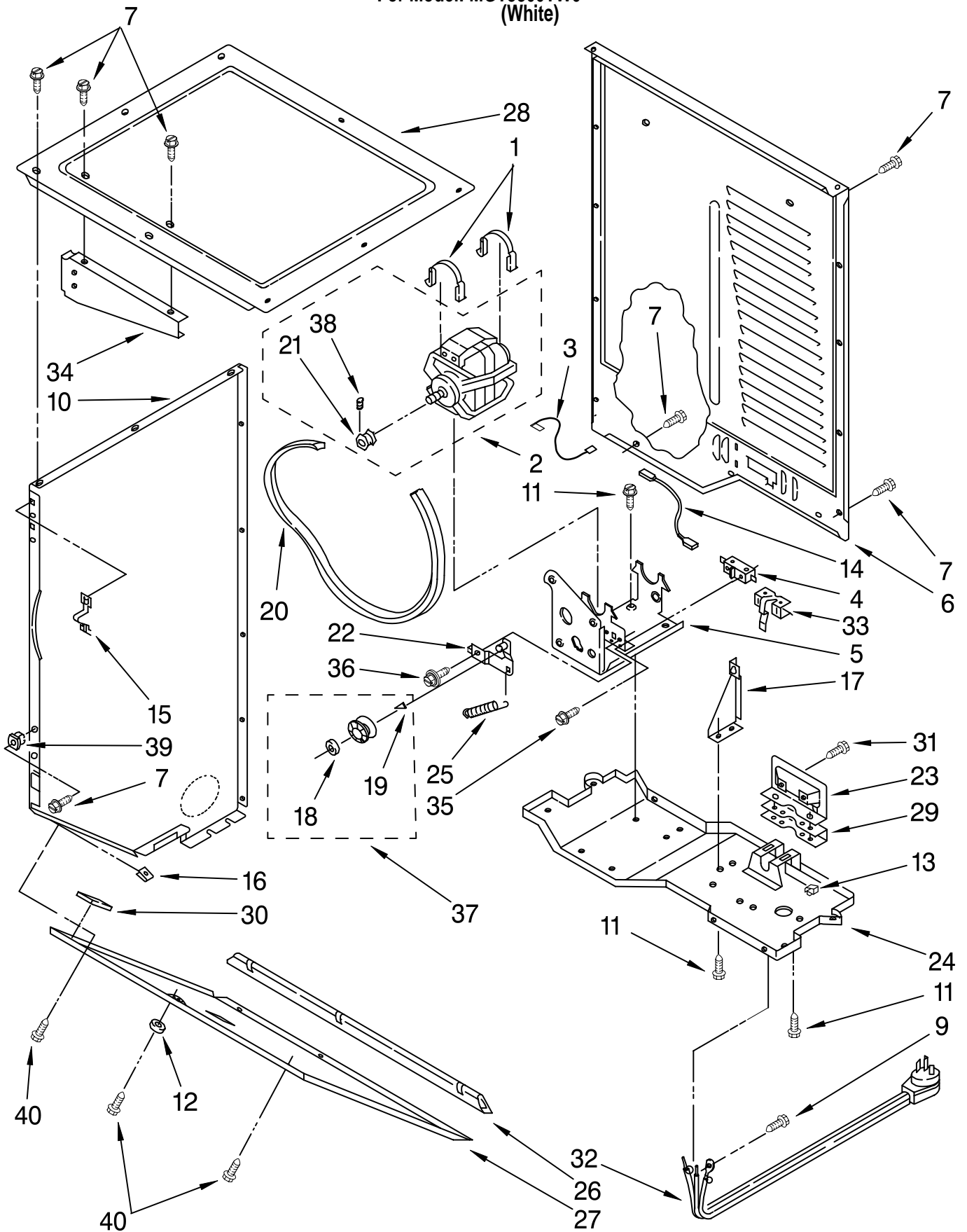
Illus. No.	Part No.	DESCRIPTION
9	3387242	Bearing & Seal
10	3392602	Clip, Harness
11	696144	Strike, Panel
12	697773	Screw, Door Switch Mounting (2)
13	3393008	Screw, 10-16 x 1/2
14	3392538	Catch, Door

Illus. No.	Part No.	DESCRIPTION
15	W10116360	Handle, Door
16	3390902	Clip, Door Hinge (2)
17	3388958	Panel, Toe
18	342055	Screw, 8-18 x 1/2
19	3389247	Hinge & Pin, Door (2)
20	694091	Screw, 8-18 x 3/8

IMPORTANT: All Part Numbers Listed Are Whirlpool Numbers. Source Parts Through Whirlpool.

DRYER CABINET AND MOTOR PARTS

For Model: MGT3800TWO
(White)



IMPORTANT: All Part Numbers Listed Are Whirlpool Numbers. Source Parts Through Whirlpool.

DRYER CABINET AND MOTOR PARTS

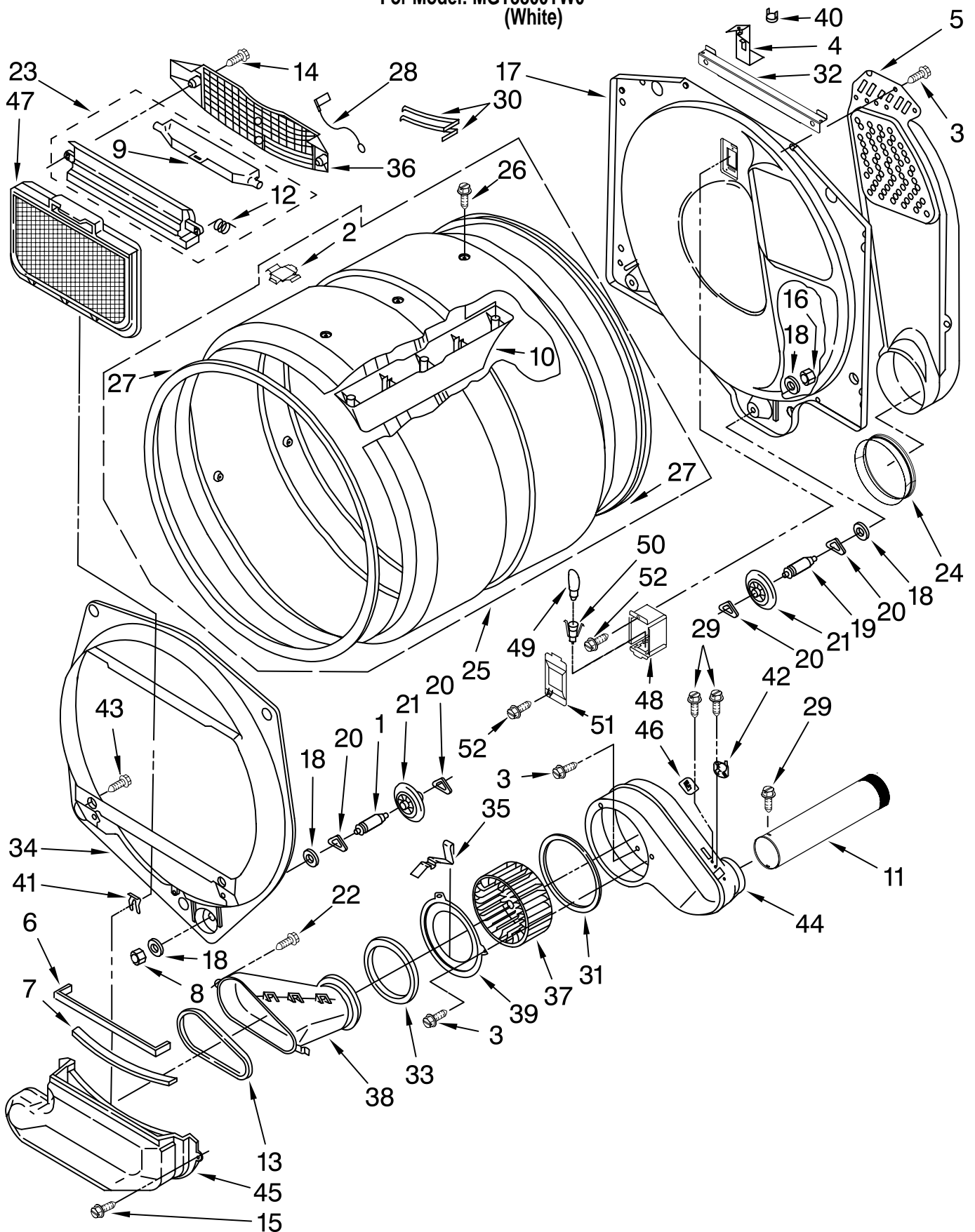
For Model: MGT3800TWO
(White)

Illus. No.	Part No.	DESCRIPTION	Illus. No.	Part No.	DESCRIPTION	Illus. No.	Part No.	DESCRIPTION
1	660658	Clamp, Motor Mounting (2)	14	3394081	Wire, Broken Belt Switch	26	3389683	Cove, Transition Panel (Black)
2	8538266	Motor, Main Drive (60 Hz.)	15	3389231	Clip, Front Panel (2)	27	3389272	Panel, Transition
3	3398948	Wire, Jumper	16	98234	Clip, Ground	28	3389537	Top, Dryer
4	3394881	Switch, Broken Belt	17	3391639	Bracket, Bulkhead	29	3393717	Bracket, Spacer
5	3388858	Bracket, Motor	18	690997	Washer, Thrust	30	3389682	Spacer (2)
6	3389847	Panel, Rear	19	W10121334	Tri-Ring	31	343641	Screw, 8-18 x 5/16
7	343641	Screw, 10-16 x 1/2	20	3387610	Belt, Drive	32	694018	Cord, Power
9	8533971	Screw, Ground (8-18 x 3/8)	21	3391087	Pulley, Motor (60 Hz.)	33	8066120	Lever, Snap Switch
10	3389264	Panel, Side (L.H.)	22	3389332	Bracket, Idler	34	3390722	Shield-Console To Drum
	3389256	Panel, Side (R.H.)	23	3393722	Bracket, Terminal Block	35	98129	Screw, 6-20 x 1
11	3390631	Screw, 10-16 x 3/8				36	3389420	Bolt, Shoulder
12	3389431	Bumper, Lid Stop	24	3391668	Base, Dryer	37	3388672	Pulley, Idler
13	697438	Clip	25	3387374	Spring, Idler	38	3394743	Pin, Roll
						39	692400	Nut, Push-In
						40	693304	Screw And Washer

IMPORTANT: All Part Numbers Listed Are Whirlpool Numbers. Source Parts Through Whirlpool.

DRYER BULKHEAD PARTS

For Model: MGT3800TW0
(White)



IMPORTANT: All Part Numbers Listed Are Whirlpool Numbers. Source Parts Through Whirlpool.

DRYER BULKHEAD PARTS

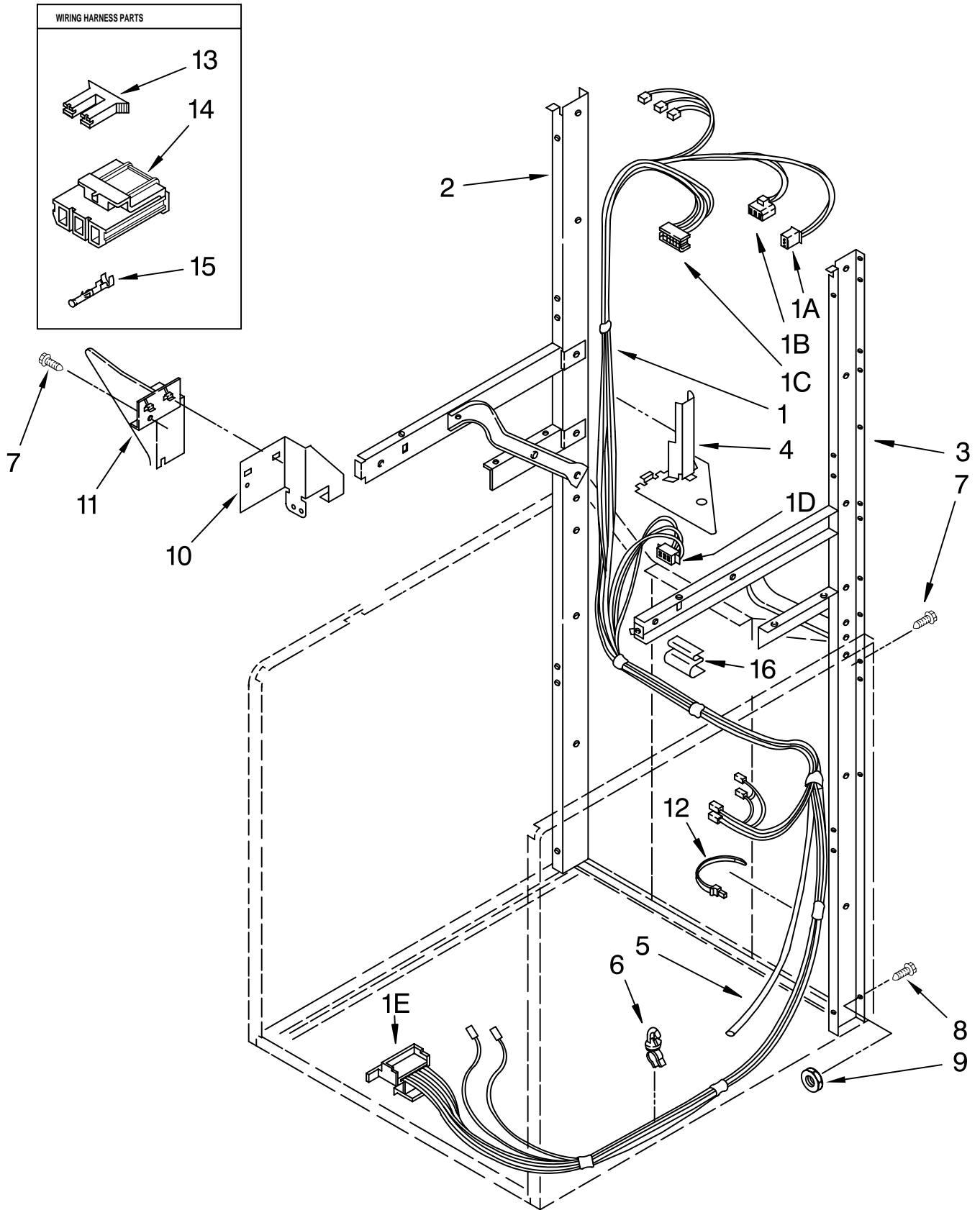
For Model: MGT3800TWO
(White)

Illus. No.	Part No.	DESCRIPTION	Illus. No.	Part No.	DESCRIPTION	Illus. No.	Part No.	DESCRIPTION
1	8575324	Shaft, Roller	19	8575325	Shaft, L.H. Thread	39	697366	Plate, Blower
2	8066086	Plug, Drum Hole	20	690997	Tri- Ring	40	3388697	Fixed, Thermostat (205°F)
3	343641	Screw, 10-16 x 1/2	21	8536973	Support, Roller	41	694415	Clip, Strain Relief
4	3392226	Clip, Thermostat	22	3387230	Screw, 10-16 x 3/4	42	3387134	Thermostat, Internal-Bias
5	3392157	Air Duct Assembly	23	3394985	Housing, Outlet	43	695240	Screw, 8-18 x 1/2
6	697813	Seal, Outlet Housing	24	3387910	Colar-Air Duct	44	8544363	Housing, Blower
7	3391906	Seal, Lint Duct	25	3389448	Assembly, Drum	45	3388909	Lint Duct Assembly (Includes Illus. 7 & 13)
8	3934666	Nut	26	W10109200	Screw, 11-16 x 3/4	46	3403607	Limiter, Thermal
9	3394984	Door, Lint Screen	27	697694	Seal, Drum	47	3389644	Screen, Lint
10	3389449	Baffle, Drum (3)	28	3392258	Wire, Ground (Sensor)	48	3977373	Bracket, Light
11	8563748	Pipe, Exhaust	29	8533971	Screw, 8-18 x 1/2	49	3406124	Bulb, Light
12	3394986	Spring, Lint Screen Door	30	3387223	Electrode Sensor	50	3403634	Socket, Assembly
13	3391685	Seal, Transition Duct To Lint Duct	31	697770	Seal, Cover Plate	51	3402841	Lens, Drum Light
14	3357011	Screw, 10-16 x 1/2	32	8571651	Bracket, Bulkhead (Upper)	52	487909	Screw, 8-15 x 1/2
15	3390647	Screw, 8-18 x 1/2	33	8566209	Seal, Transition Duct			
16	W10001120	Nut, Hex (2)	34	697557	Bulkhead, Front			
17	8520836	Bulkhead, Rear	35	3390935	Clip, Duct Locator			
18	3387459	Washer, Support	36	8299979	Grille, Outlet			
			37	697772	Wheel, Blower			
			38	3389445	Duct, Transition (Includes Illus. 33)			

IMPORTANT: All Part Numbers Listed Are Whirlpool Numbers. Source Parts Through Whirlpool.

DRYER SUPPORT AND WASHER HARNESS PARTS

For Model: MGT3800TW0
(White)



IMPORTANT: All Part Numbers Listed Are Whirlpool Numbers. Source Parts Through Whirlpool.

DRYER SUPPORT AND WASHER HARNESS PARTS

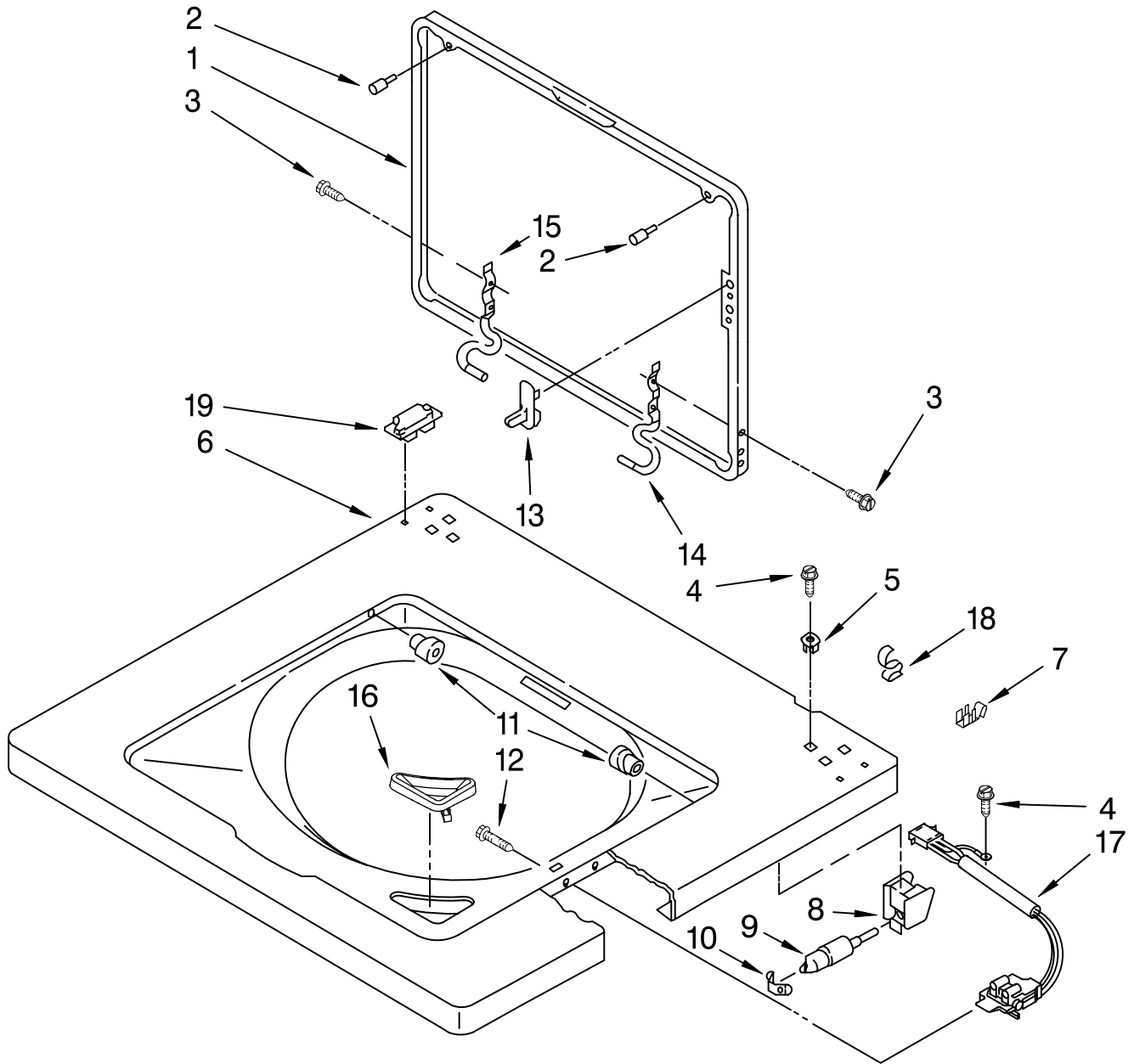
For Model: MGT3800TWO
(White)

Illus. No.	Part No.	DESCRIPTION
1	W10135956	Harness – Washer
1A	3350130	Plug, 3 Way
1B	3347243	Connector, 5 Way
1C	3948614	Block, Disconnect – Timer
1D	3350211	Receptacle, 3 Way
1E	62505	Block, Disconnect
2	3388851	Channel Assembly (Left hand Side)
3	3388850	Channel Assembly (Right Hand Side)
4	3390609	Shield, Harness
5	8545438	Hose, Pressure Switch
6	2219077	Clip, Harness
7	343641	Screw, 10–16 x 1/2
8	3400300	Bolt, 5/16–18 x 1/2
9	3393930	Nut, Hex (4)
10	3392232	Shield, Front
11	3390336	Shield, Thermostat
12	3391249	Clip, Harness (2)
13	3354925	Connector, H–Pod
14	3360056	Connector, Pressure Switch
15		Terminal, 94613 Male 94614 Female
16	63523	Protector, Harness

IMPORTANT: All Part Numbers Listed Are Whirlpool Numbers. Source Parts Through Whirlpool.

WASHER TOP AND LID PARTS

For Model: MGT3800TW0
(White)



IMPORTANT: All Part Numbers Listed Are Whirlpool Numbers. Source Parts Through Whirlpool.

WASHER TOP AND LID PARTS

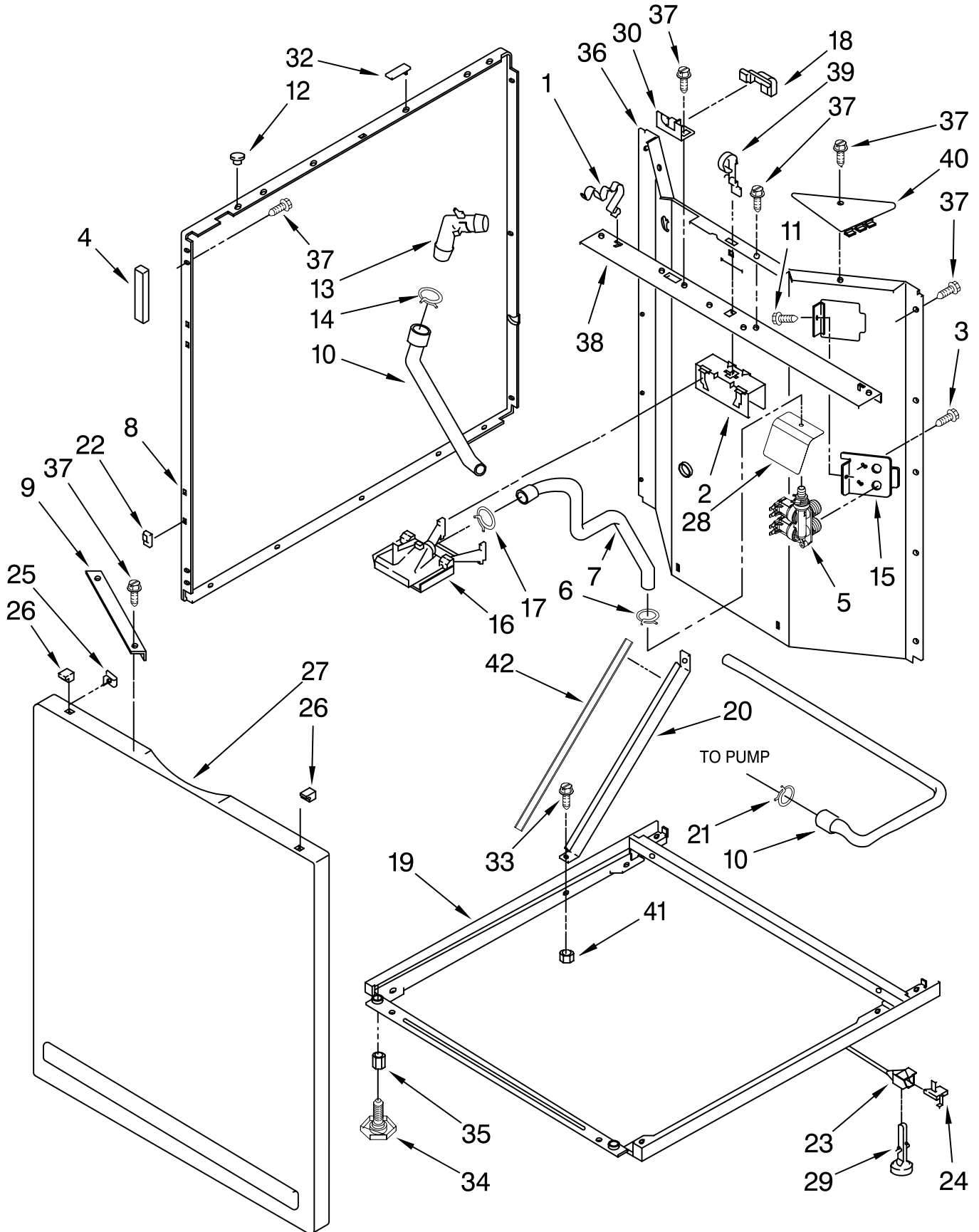
For Model: MGT3800TWO
(White)

Illus.	Part	
No.	No.	DESCRIPTION
1	3351652	Lid
2	9724509	Bumper, Lid (2)
3	W10119872	Screw And Washer
4	343641	Screw, 10-16 x 1/2
5	692400	Nut, Push-In (2)
6	3349817	Top, Console
7	357572	Clip, Grounding
8	3354020	Bracket, Mounting
9	3350152	Retainer, Lid Assembly
10	3350828	Clip, Retainer
11	21258	Hinge, Bearing (2)
12	3356311	Screw And Washer
13	358684	Strike, Lid
14	3350101	Hinge, R.H.
15	3350102	Hinge, L.H.
16	3362952	Dispenser, Bleach
17	3355458	Switch, Lid
18	90016	Clip, Wire (4)
19	W10134768	Locator, Top

IMPORTANT: All Part Numbers Listed Are Whirlpool Numbers. Source Parts Through Whirlpool.

WASHER CABINET PARTS

For Model: MGT3800TWO
(White)



IMPORTANT: All Part Numbers Listed Are Whirlpool Numbers. Source Parts Through Whirlpool.

WASHER CABINET PARTS

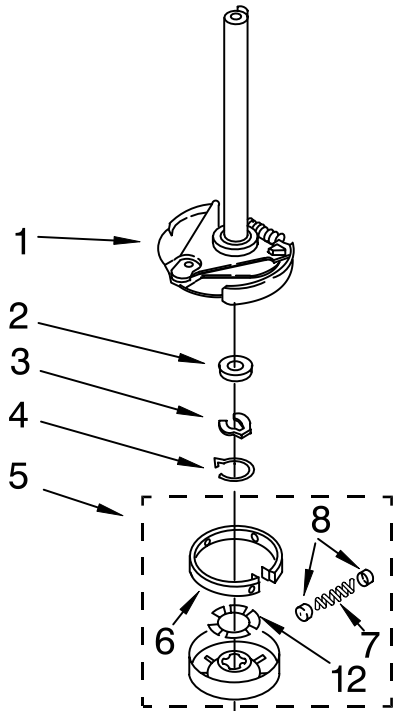
For Model: MGT3800TWO
(White)

Illus. No.	Part No.	DESCRIPTION	Illus. No.	Part No.	DESCRIPTION	Illus. No.	Part No.	DESCRIPTION
1	3349770	Clip, Spring Top (2)	11	9740848	Screw, 8-18 x 1/2	28	3979552	Drape, Inlet-Valve
2	3349768	Bracket, Vacuum	12	660975	Plug, Top To Cabinet (2)	29	358594	Foot, Rear (2)
3	62863	Screw, Mixing Valve Mounting (2) (10-16 X 3/8)	13	8557915	Connector, Hose	30	3350144	Bracket, Lid Switch
4	3350013	Foam	14	356138	Clamp, Hose	32	352292	Nut, Push-In (2)
5	3979349	Valve, Water Mixing	15	3349673	Bracket, Valve	33	3400502	Screw, 5/16-18 x 1/2 (2)
6	370451	Clamp, Hose	16	387606	Thermister, Inlet	34	389102	Foot, Front (2)
7	8521954	Hose, Water Inlet (Vacuum Break To Mixing Valve)	17	371503	Clamp, Hose	35	3400917	Nut, Jam (2)
8	3349455	Panel, Side (2) (Same Panel Used On Left And Right Side)	18	3350145	Shield, Lid Switch	36	3349493	Panel, Rear (Washer)
9	3350745	Brace, Front Panel	19	3402724	Base, Cabinet	37	343641	Screw, 10-16 x 1/2
10	3353841	Hose, Drain	20	3388857	Bracket, Base	38	3349697	Rail, Back Top
			21	371507	Clamp, Hose	39	3350135	Spring, Lever Bracket
			22	3394083	Clip, Front Panel (2)	40	3390608	Shield, Corner Right Rear
			23	3349311	Link, Leveling	41	3393930	Nut, Hex (2)
			24	359364	Clip, Leveling Mechanism (2)	42	303294	Edge, Protector
			25	98234	Clip, Ground			
			26	345670	Lock, Top (2)			
			27	3349499	Panel, Front			

IMPORTANT: All Part Numbers Listed Are Whirlpool Numbers. Source Parts Through Whirlpool.

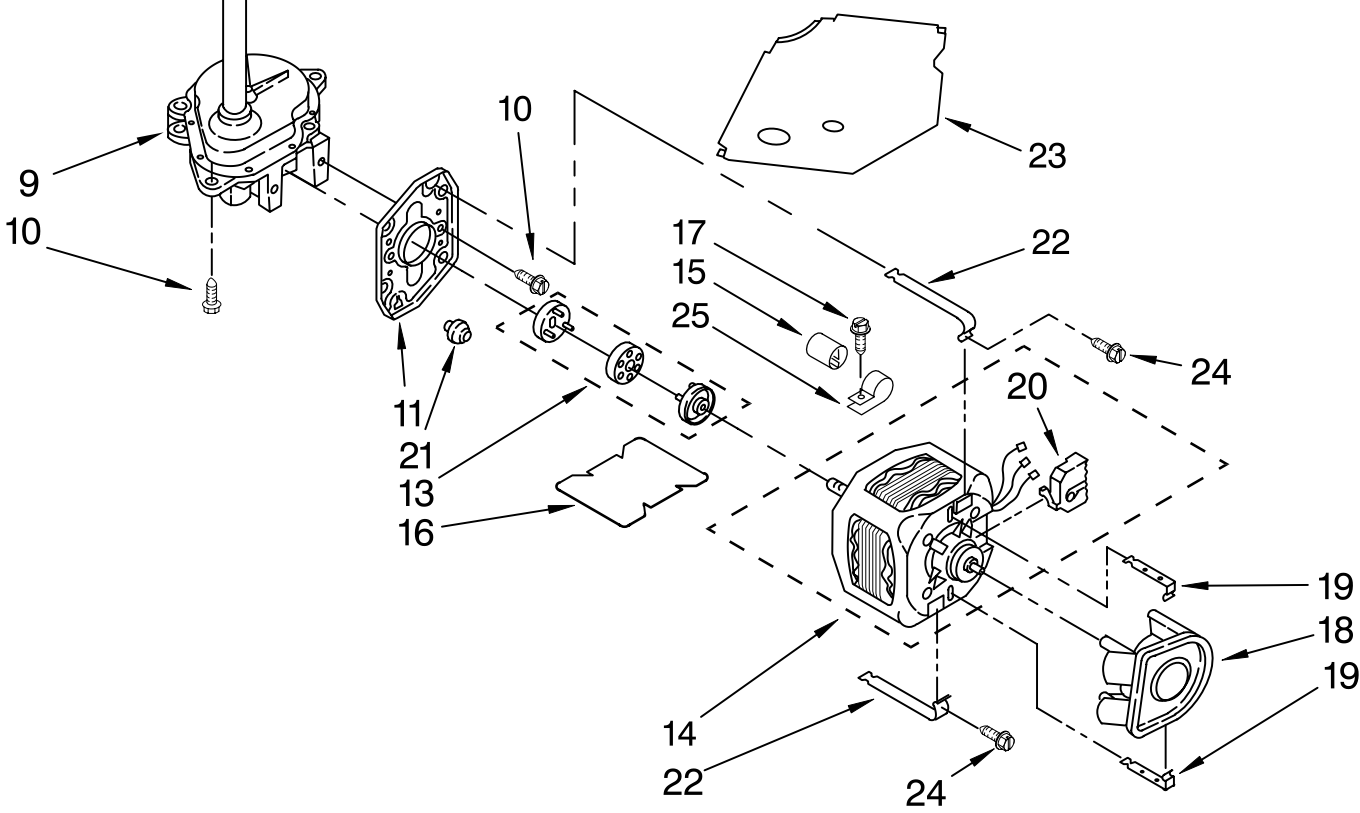
BRAKE, CLUTCH, GEARCASE, MOTOR AND PUMP PARTS

For Model: MGT3800TWO
(White)



Illus. No.	Part No.	DESCRIPTION
1	388951	Brake And Drive Tube (Complete) (Refer To Page 18 For Further Breakdown)
2	63292	Washer, Spin Tube Thrust
3	62697	Ring, Spin Tube Support
4	63283	Ring, Retainer
5	3951311	Clutch (Complete)
6	3951308	Band And Lining (Includes Illus. 7 & 8)
7	3363337	Spring & Damper Assembly
8	62646	Cap, Clutch Spring (2)
9	8532118	Gearcase (Complete)(Refer To Page 17 For Further Breakdown)

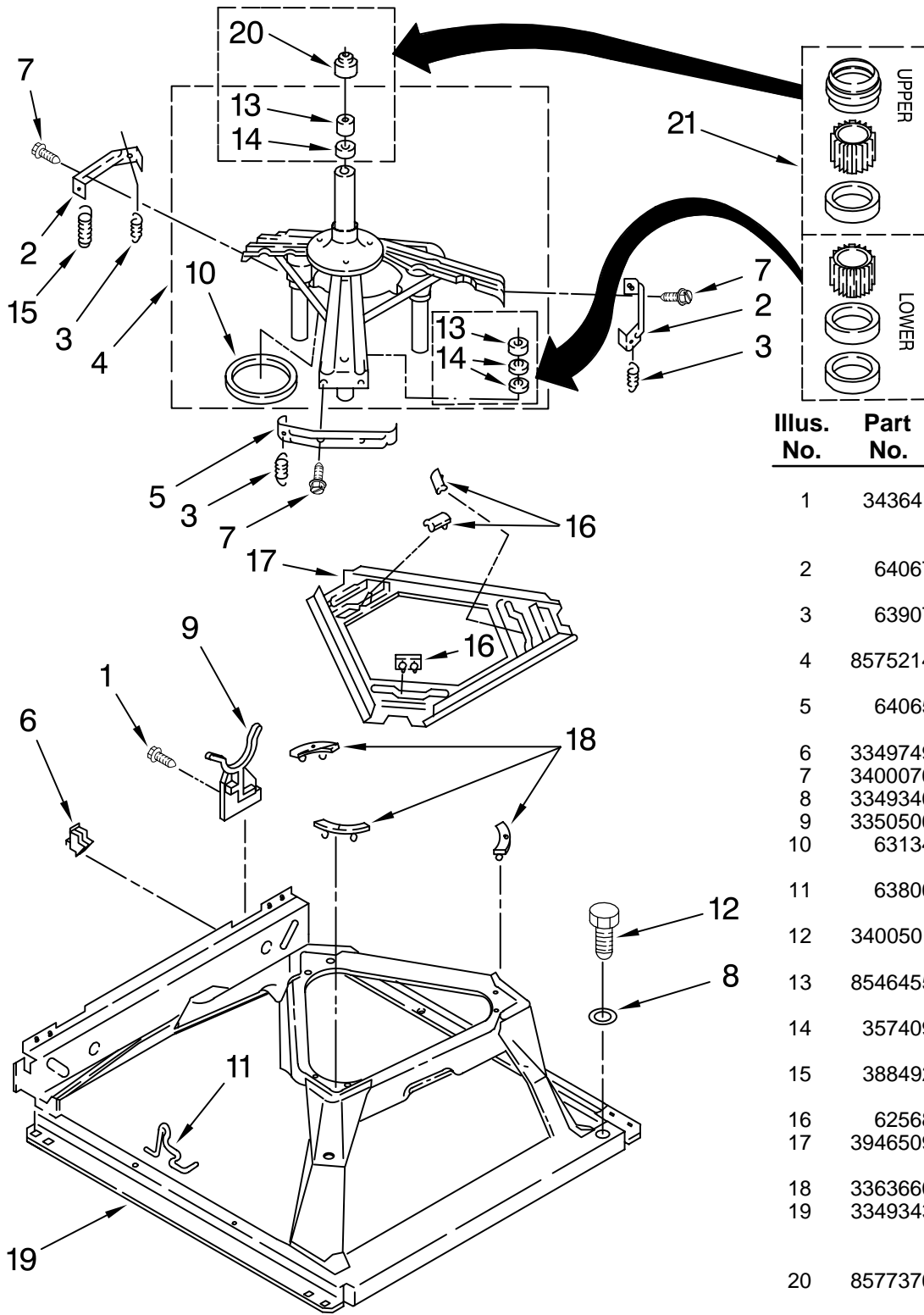
Illus. No.	Part No.	DESCRIPTION
10	3357334	Screw, (3) 5/16-24 x 3/16 (3) (Gearcase To Tub Support)
11	62611	Plate, Motor Mount To Gearcase
12	3355454	Clip, Anti-Rattle
13	3364003	Coupling, Motor & Isolating
14	661600	Motor, Main Drive
15	8572717	Capacitor, Motor Start
16	8316060	Shield, Motor
17	62863	Screw, 10-16 x 3/8
18	3363892	Pump, Complete
19	8546127	Retainer, Pump
20	62850	Switch, Main Drive Motor
21	62691	Grommet, Motor (4)
22	3349637	Retainer, Motor (2)
23	3362089	Shield, Tub To Motor
24	3387485	Screw, 10-16 x 5/8
25	3949496	Clamp, Capacitor



IMPORTANT: All Part Numbers Listed Are Whirlpool Numbers. Source Parts Through Whirlpool.

MACHINE BASE PARTS

For Model: MGT3800TWO
(White)

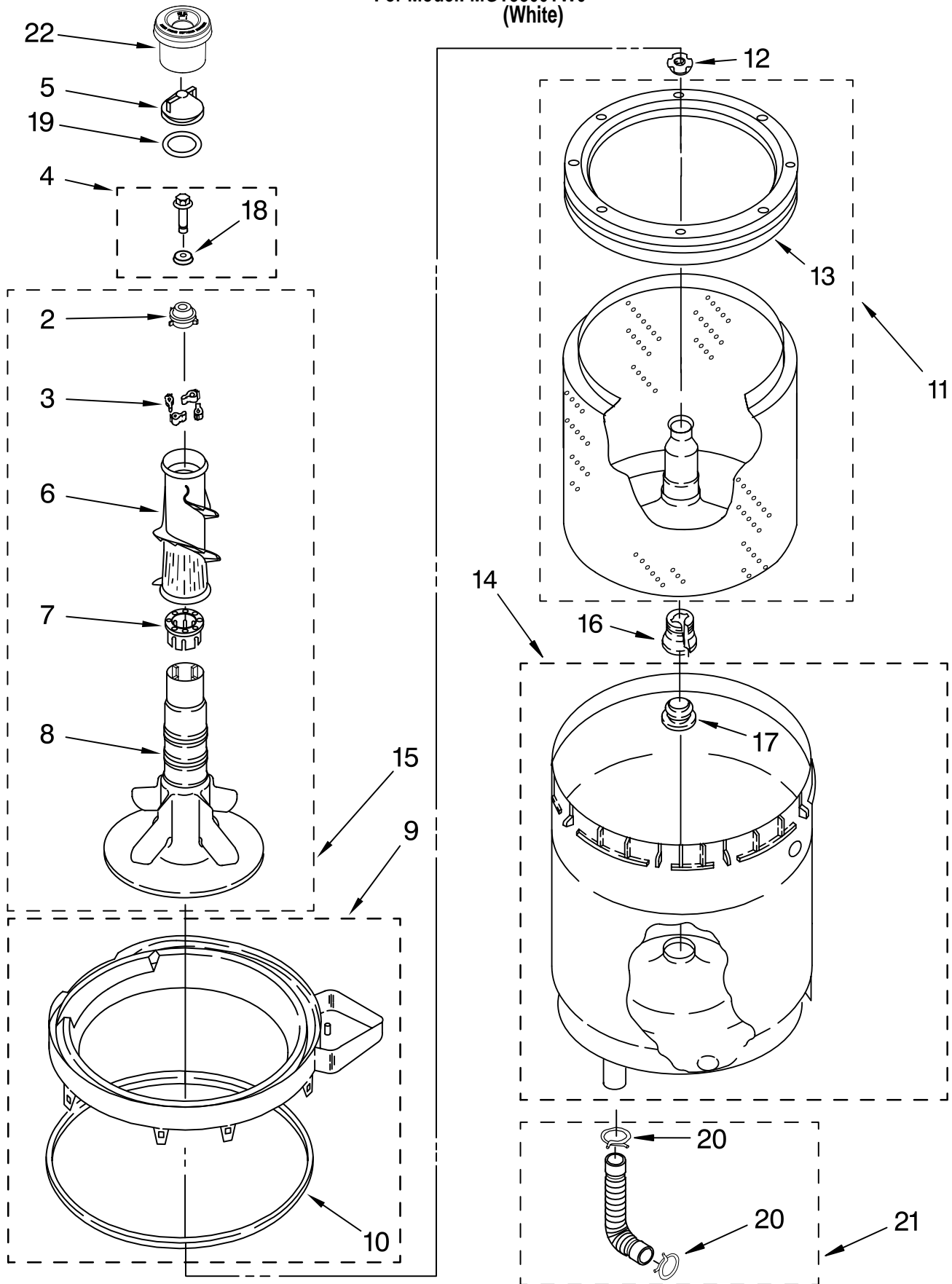


Illus. No.	Part No.	DESCRIPTION
1	343641	Screw, Bracket Mounting (10-16 x 1/2)
2	64067	Bracket, Spring Outer (2)
3	63907	Spring, Suspension (3)
4	8575214	Support & Brake, Tub
5	64065	Bracket, Spring Outer (L.F.)
6	3349749	Restrainer, Base
7	3400076	Screw, 10-32 x 5/8
8	3349340	Washer (2)
9	3350506	Retainer, Hose
10	63134	Ring, Sound Deadening
11	63806	Retainer, Suspension Spring
12	3400501	Screw, Shoulder (2)
13	8546455	Bearing, Centerpost (2)
14	357409	Seal, Centerpost (3)
15	388492	Spring, Counterweight
16	62568	Pad, Plate
17	3946509	Plate, Suspension (Includes Illus. 16)
18	3363660	Pad, Base
19	3349343	Base Assembly (Includes Illus. 11 & 18)
20	8577376	Seal, Centerpost (1)
21	285203	Centerpost Bearing Kit (Includes Illus. 13, 14 & 20)

IMPORTANT: All Part Numbers Listed Are Whirlpool Numbers. Source Parts Through Whirlpool.

AGITATOR, BASKET AND TUB PARTS

For Model: MGT3800TW0
(White)



IMPORTANT: All Part Numbers Listed Are Whirlpool Numbers. Source Parts Through Whirlpool.

AGITATOR, BASKET AND TUB PARTS

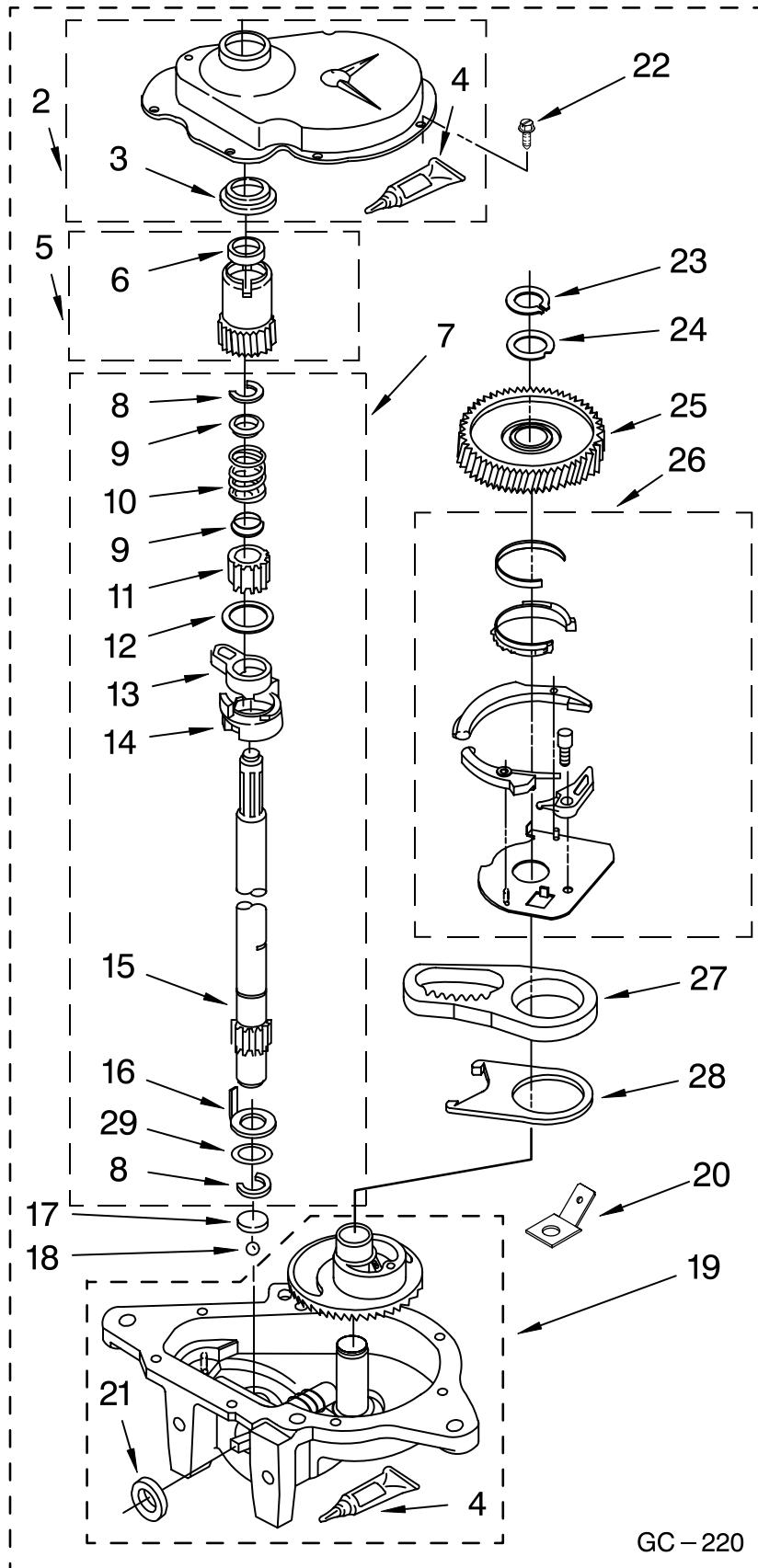
For Model: MGT3800TWO
(White)

Illus. No.	Part No.	DESCRIPTION
2	3947410	Cam Driven
3	3366877	Dog, Agitator (4)
4	358237	Screw & Washer
5	387094	Cap, Barrier
6	3349610	Mover, Agitator Clutch
7	3351014	Spacer, Thrust
8	3349578	Agitator
9	8528150	Tub Ring
10	3976308	Gasket, Tub Ring
11	3979385	Basket
12	21366	Nut, Spanner
13	8519788	Ring, Balance
14	3349292	Tub
15	3349743	Agitator (Complete)
16	389140	Block, Drive
17	383727	Gasket, Centerpost
18	3949550	Washer
19	3348855	Seal, Inner Cap
20	3363366	Clamp, Hose (2)
21	3951449	Hose & Clamp Assembly
22	3350834	Dispenser, Assembly

IMPORTANT: All Part Numbers Listed Are Whirlpool Numbers. Source Parts Through Whirlpool.

GEARCASE PARTS

For Model: MGT3800TWO
(White)



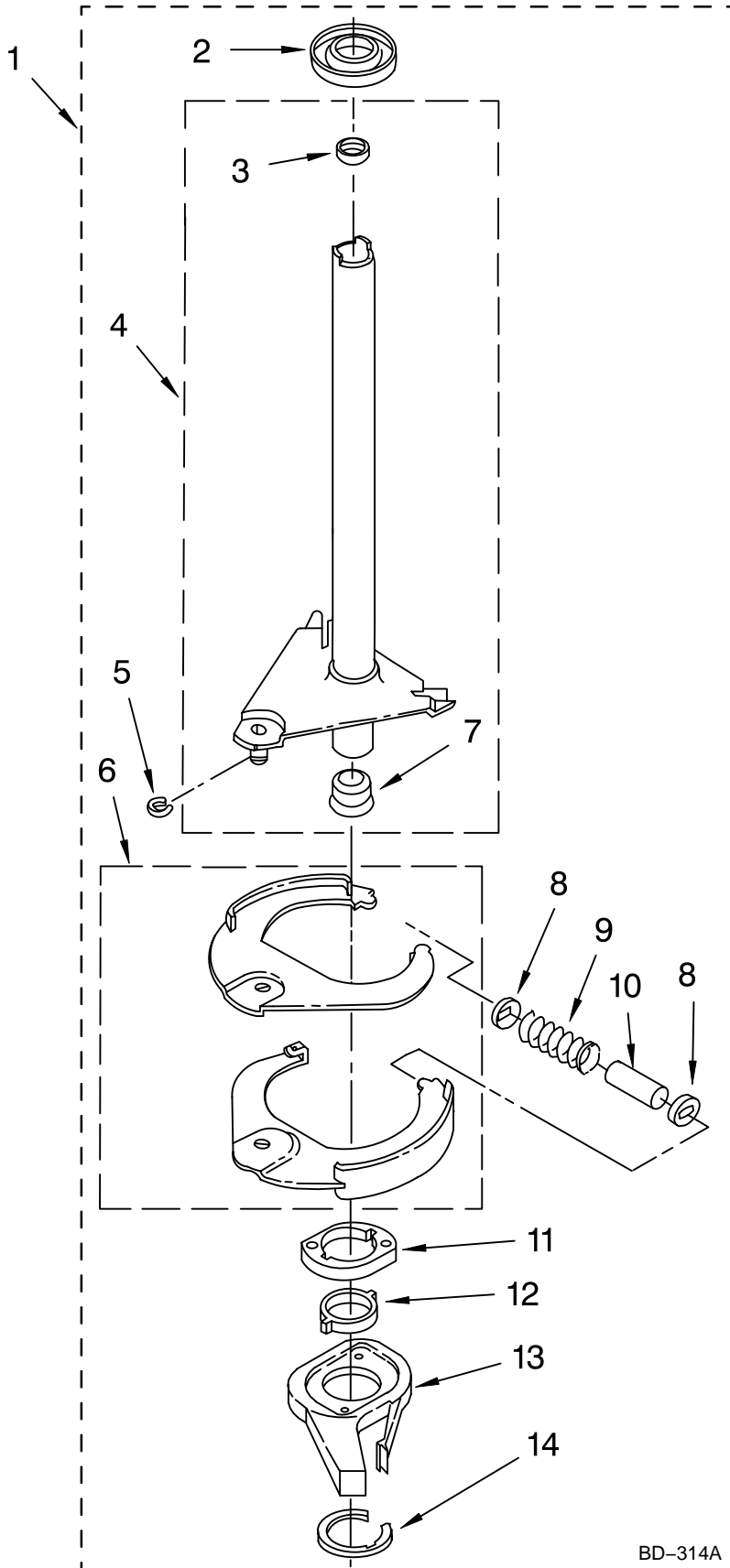
Illus. No.	Part No.	DESCRIPTION
1	8532118	Gearcase (Complete)
2	285202	Cover, Gearcase
3	3349985	Seal, Gearcase Cover
4	285195	Sealer, Gasket (.20 Fl. Oz.) (6 ml)
5	63320	Pinion, Spin (Includes Illus. 25)
6	356427	Seal, Spin Pinion
7	389387	Shaft, Agitator (Complete)
8	90369	Ring, Retaining (2)
9	62677	Retainer, Spring (2)
10	62676	Spring, Agitate
11	63273	Gear, Agitate (Includes 15 & 29)
12	62619	Washer, Agitate Gear
13	62580	Cam Follower (Includes 14)
14	62581	Cam, Agitate (Includes 13)
15	285509	Shaft, Agitator (Includes 11 & 29)
16	62618	Washer, Cam Thrust
17	16018	Bearing, Thrust (Includes 18)
18	85529	Ball, Bearing (Includes 17)
19	389230	Bottom and Pinion, Gearcase
20	3949116	Block Tab, Terminal
21	285352	Seal, Thrust Plug
22	3351614	Screw, Gearcase Cover Mounting (8) (10-24 x 3/8)
23	3362552	Ring, Retaining
24	285735	Washer Kit, Thrust
25	62570	Gear, Spin
26	388253	Neutral Assembly
27	3349296	Rack, Connecting
28	62621	Actuator, Shift
29	388815	Washer, Intermediate

GC-220

IMPORTANT: All Part Numbers Listed Are Whirlpool Numbers. Source Parts Through Whirlpool.

BRAKE AND DRIVE TUBE PARTS

For Model: MGT3800TWO
(White)



Illus. No.	Part No.	DESCRIPTION
1	388951	Brake And Drive Tube (Complete)
2	62658	Ring, Thrust
3	356427	Seal, Drive Tube
4	64027	Tube, Basket Drive (Includes Illus. 3, 4, 5 & 9)
5	64035	Ring, Retaining
6	64232	Shoe, Brake (2)
7	62703	"T" Bearing, Spin Tube
8	3353956	Cap, Brake Spring (2)
9	62647	Spring, Brake
10	3355360	Sleeve, Brake Spring
11	661516	Cam, Brake Release
12	63022	Sleeve, Cam
13	64194	Driver, Brake Cam
14	90368	Ring, Retaining

FOLLOWING PARTS NOT ILLUSTRATED

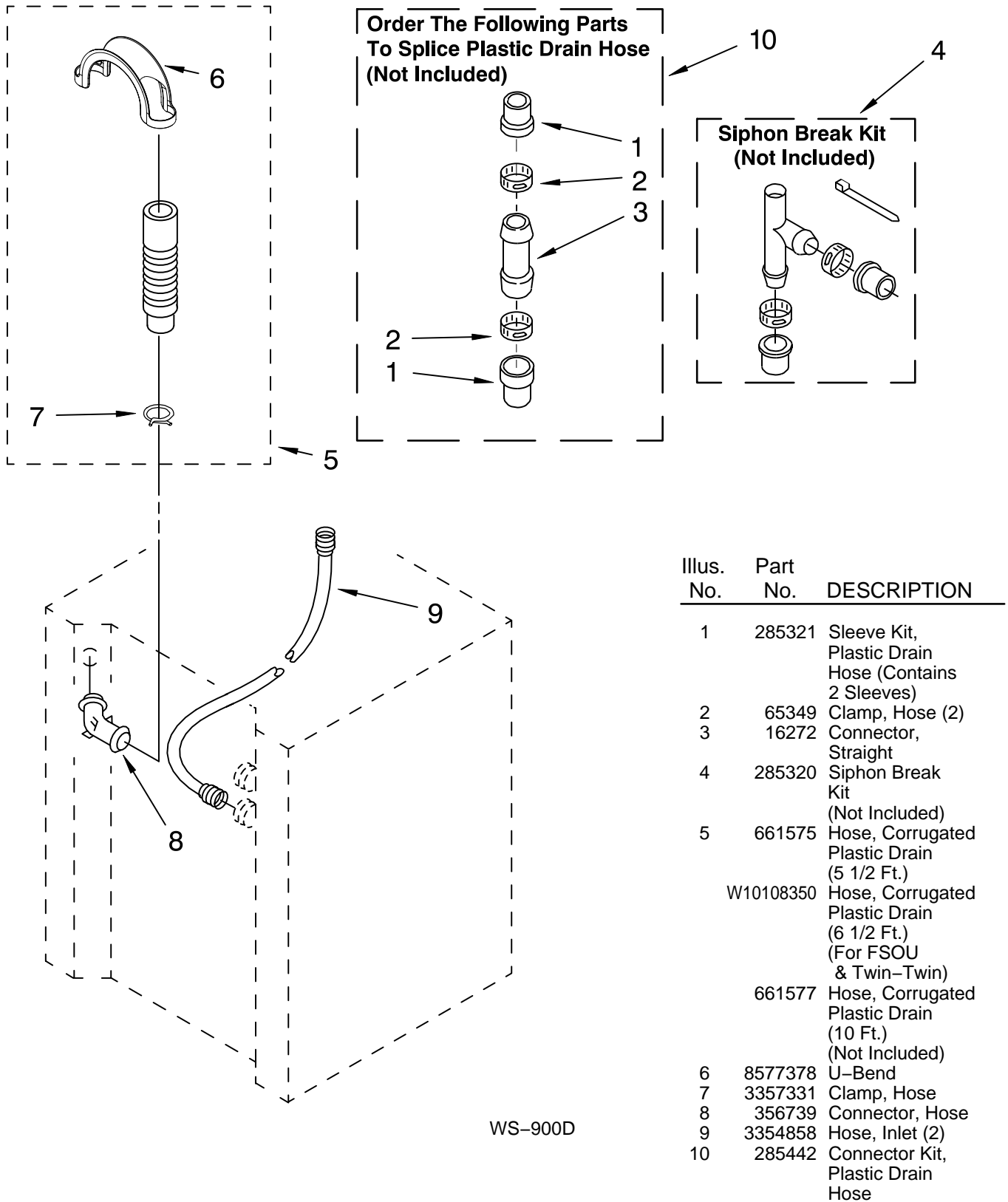
285208 Lubricant
(Use Only In Brake Shoe Assembly On Roller & Pin)

BD-314A

IMPORTANT: All Part Numbers Listed Are Whirlpool Numbers. Source Parts Through Whirlpool.

WATER SYSTEM PARTS

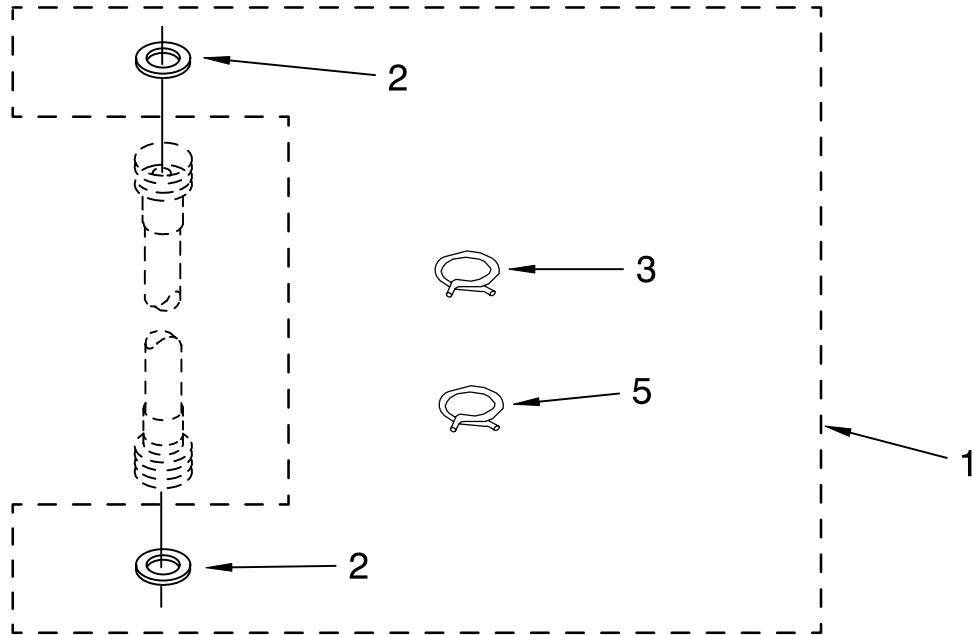
For Model: MGT3800TWO
(White)



IMPORTANT: All Part Numbers Listed Are Whirlpool Numbers. Source Parts Through Whirlpool.

MISCELLANEOUS PARTS

For Model: MGT3800TW0
(White)



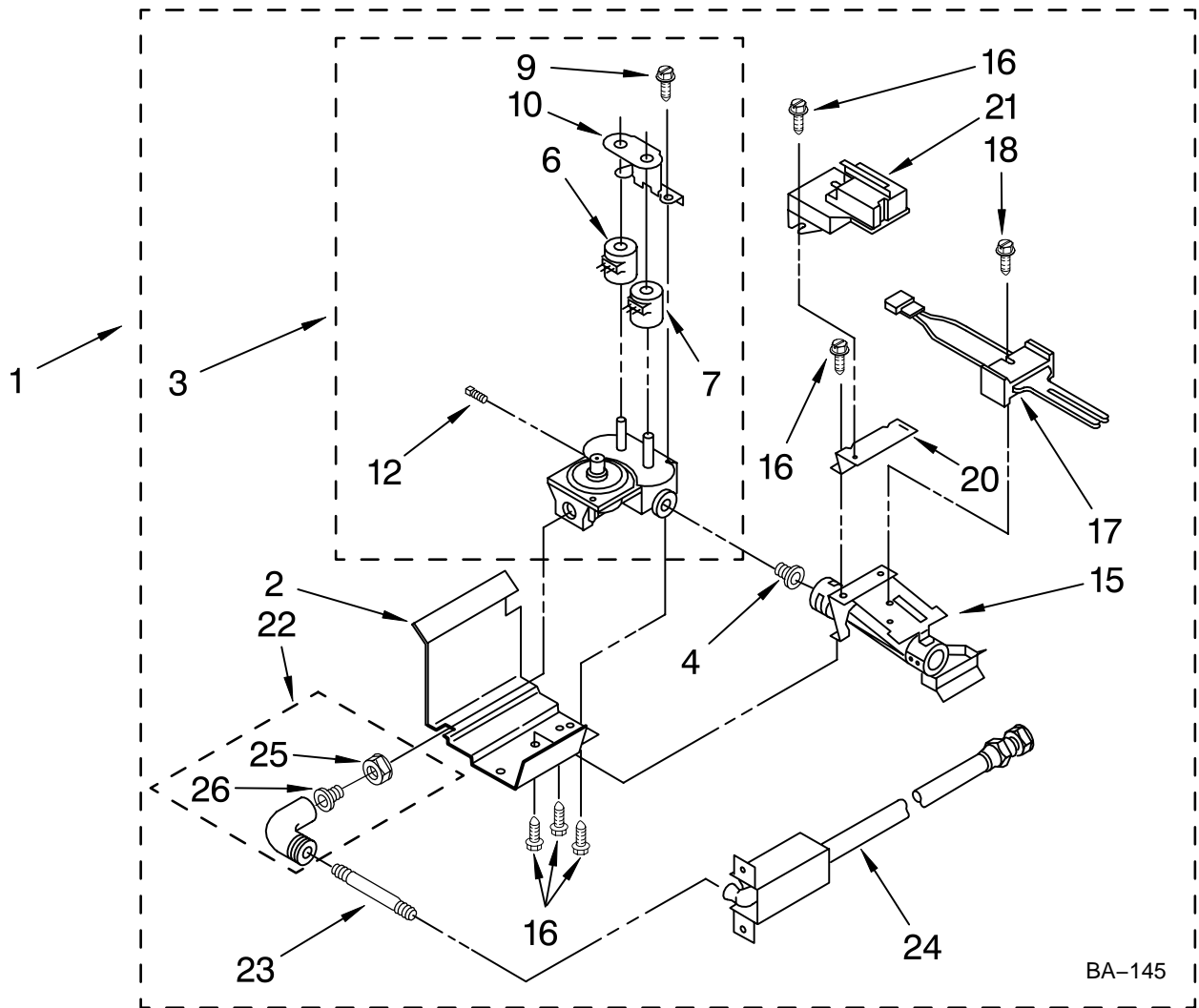
Illus. No.	Part No.	DESCRIPTION
1	W10118295	Miscellaneous Parts Bag
2	16123	Washer, Inlet Hose
3	356138	Clamp, Hose
5	356138	Clamp, Hose (Upper Drain)

IMPORTANT: All Part Numbers Listed Are Whirlpool Numbers. Source Parts Through Whirlpool.

3402855 BURNER ASSEMBLY

For Model: MGT3800TWO
(White)

1 USE WITH TYPE 1 – NATURAL, TYPE 2 – MIXED, TYPE 3 – MANUFACTURED
AND TYPE 4 – LIQUEFIED PROPANE AND BUTANE GASES



BA-145

Illus. No.	Part No.	DESCRIPTION	Illus. No.	Part No.	DESCRIPTION	Illus. No.	Part No.	DESCRIPTION
1	3401795	Burner Assembly 60 Hz.	10	694538	Bracket, Shunt	23	3391845	Nipple, Short
2	3391699	Base, Burner	12	239822	Pipe, Plug	24	3391118	Supply Line (Gas)
3	3401776	Valve, 60 Hz.	15	3392268	Burner	25	233076	Nut
4		Orifice	16	3387057	Screw, 8-18 x 3/8	26	3393767	Pipe
	3394360	Natural Gas	17	686590	Ignitor	Following Parts Not Illustrated		
	15422	L.P. Gas	18	3393909	Screw and Washer 8-32 x 1			
6	694539	Coil, 60 Hz. (Split)	20	697409	Bracket, Sensor	3392235		Conversion Kit (Type 1, 2 & 3) to Type (4) L.P.G.
7	694540	Coil, 60 Hz.	21	338906	Sensor, Radiant			
9	694421	Screw, 8-32	22	3406051	Elbow Union Assembly			

IMPORTANT: All Part Numbers Listed Are Whirlpool Numbers. Source Parts Through Whirlpool.

OPTIONAL PARTS (NOT INCLUDED)

For Model: MGT3800TWO
(White)

Illus.	Part	
No.	No.	DESCRIPTION

PAINT, TOUCH-UP (1/2oz.)

72017 White
4392899 Biscuit

PAINT, PRESSURIZED SPRAY (12 oz.)

350938 Primer, Gray
350930 White
4392901 Biscuit

PAINT, BULK (1 qt.)

799344 White (Uncut)
4392900 Biscuit (Uncut)

OIL

350572 Oil, Gearcase
(16 Oz.)

LUBRICANT

285208 Lubricant (Use
Only in Brake
Shoe Assembly
On Roller and
Pin)

SEALER

285195 Sealer, Gasket
(.20 Fl. Oz.)
(6 ml)

ACCESSORIES

3391335 Kit, Side Exhaust

WIRING HARNESS PARTS

3391885 Connector Edge
3401144 Connector (PTS)
Relay
3403498 Connector (3)
Position Gas Valve
3403499 Connector (2)
Position Gas Valve

IMPORTANT: All Part Numbers Listed Are Whirlpool Numbers. Source Parts Through Whirlpool.